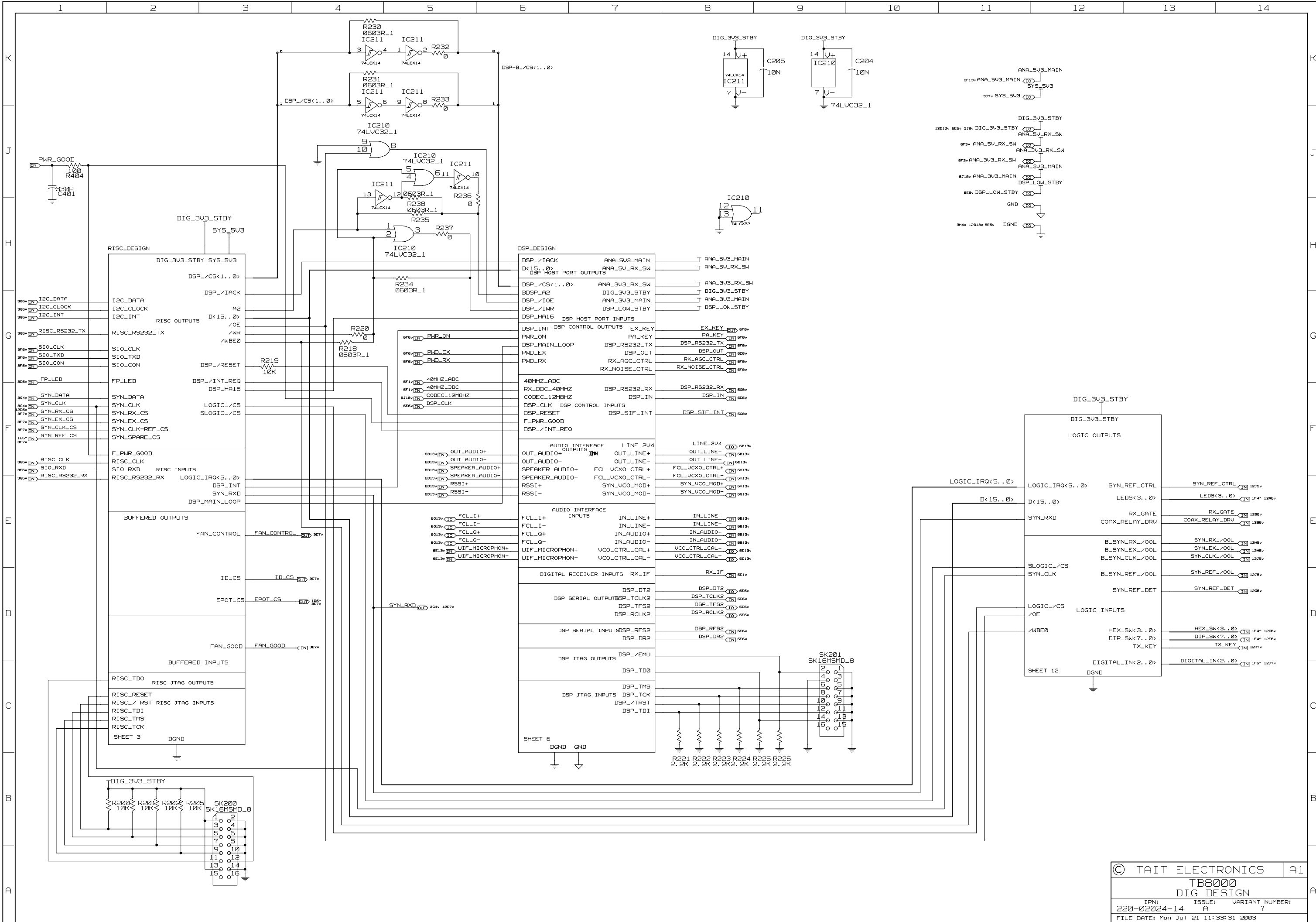


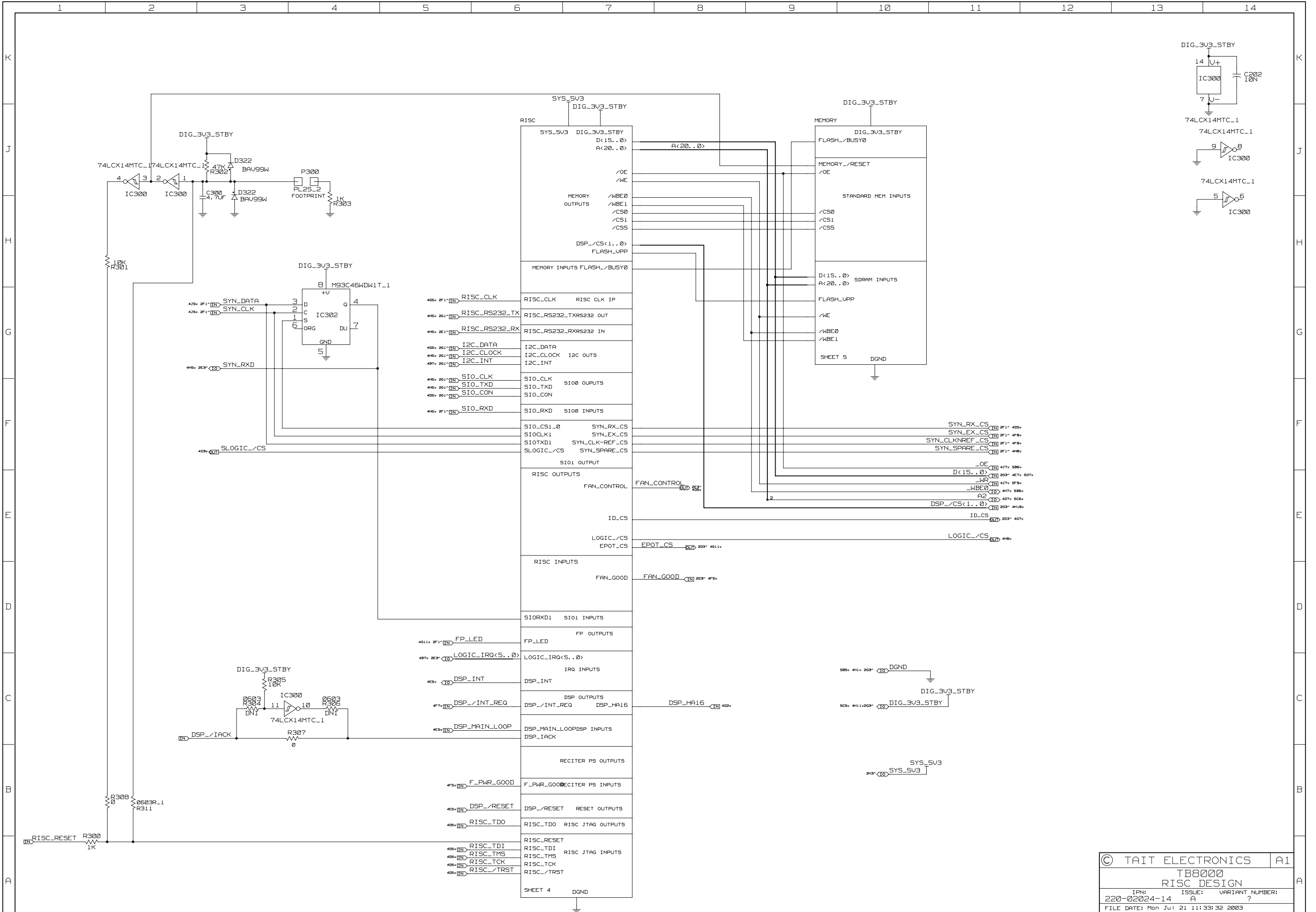
© TAIT ELECTRONICS A1  
**T8800**  
**RECITER CONTROL**  
 IPN: 220-02024-14 ISSUE: A VARIANT NUMBER: ?  
 FILE DATE: Mon Jul 21 11:33:30 2003  
 ENGINEER: ML FILE NAME: 220\_02024 SHEET NUMBER: 1 OF 18

14A	ECO 101200145	CJK	ML	CJK	ML	23/7/03
REV/ISS	AMENDMENTS	DRAWN	CHKD	D.O.	APVD	DATE
1						
2						
3						
4						
5						
6						
7						
8						
9						
10						
11						
12						
13						
14						

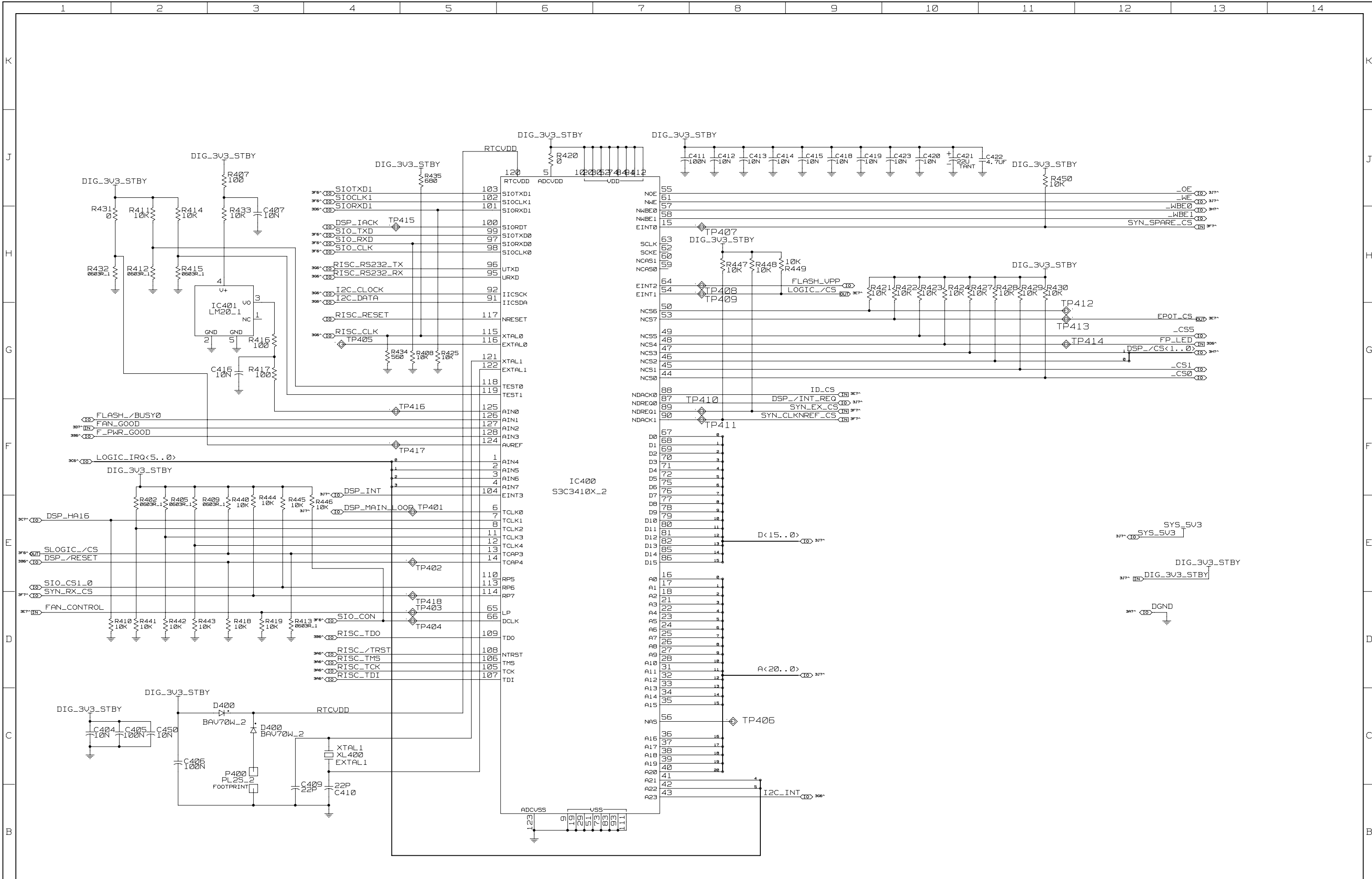


© TAIT ELECTRONICS		A1
TB8000 DIG DESIGN		
IPN: 220-02024-14	ISSUE: A	VARIANT NUMBER: ?
FILE DATE: Mon Jul 21 11:33:31 2003		
ENGINEER: ML	FILE NAME: 220_02024	SHEET NUMBER: 2 OF 18

REV/ISS	AMENDMENTS	DRAWN	CHKD	D.O.	APVD	DATE
1						

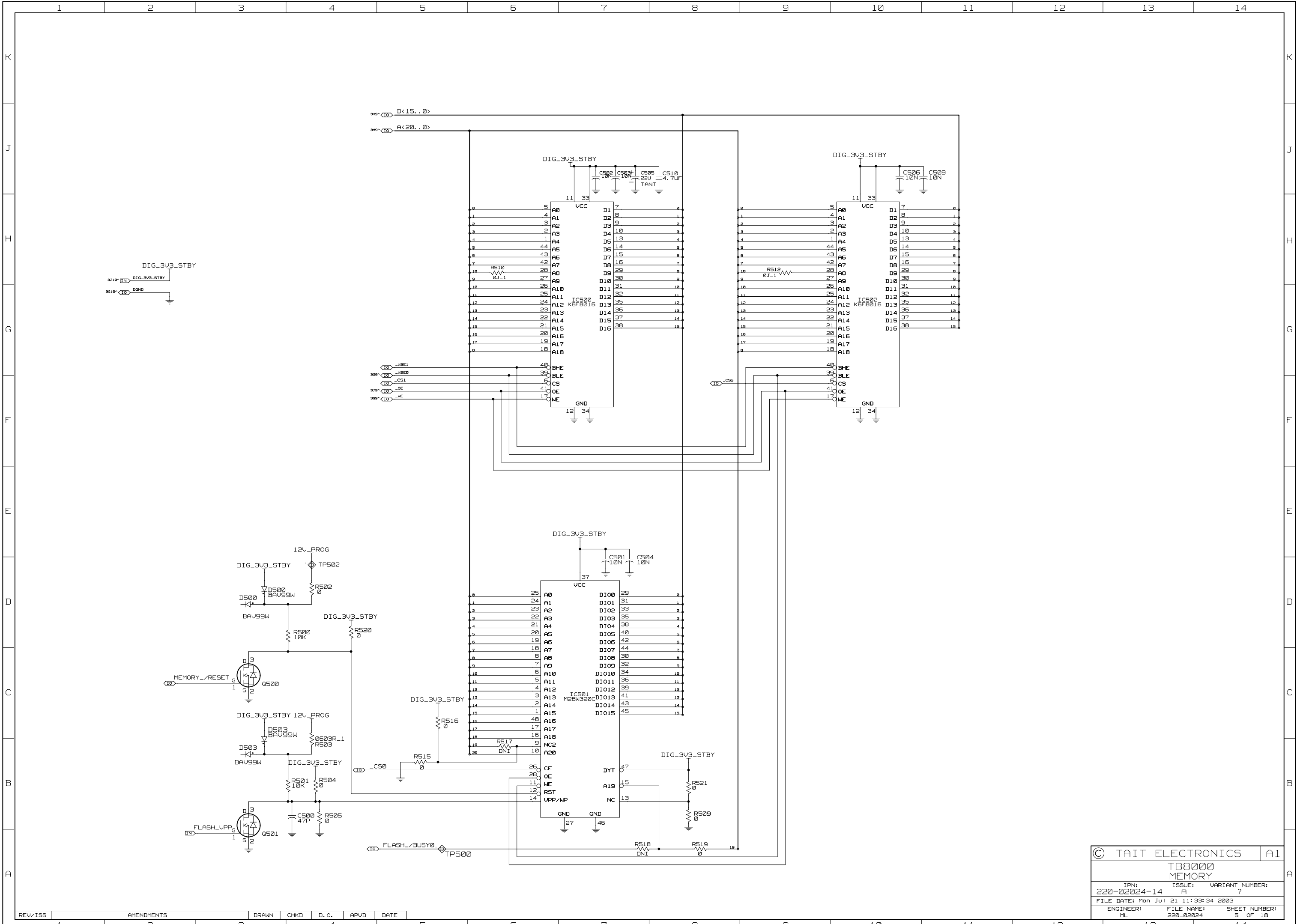


© TAIT ELECTRONICS		A1
T88000 RISC DESIGN		
IPN: 220-02024-14	ISSUE: A	VARIANT NUMBER: ?
FILE DATE: Mon Jul 21 11:33:32 2003		
ENGINEER: ML	FILE NAME: 220_02024	SHEET NUMBER: 3 OF 18



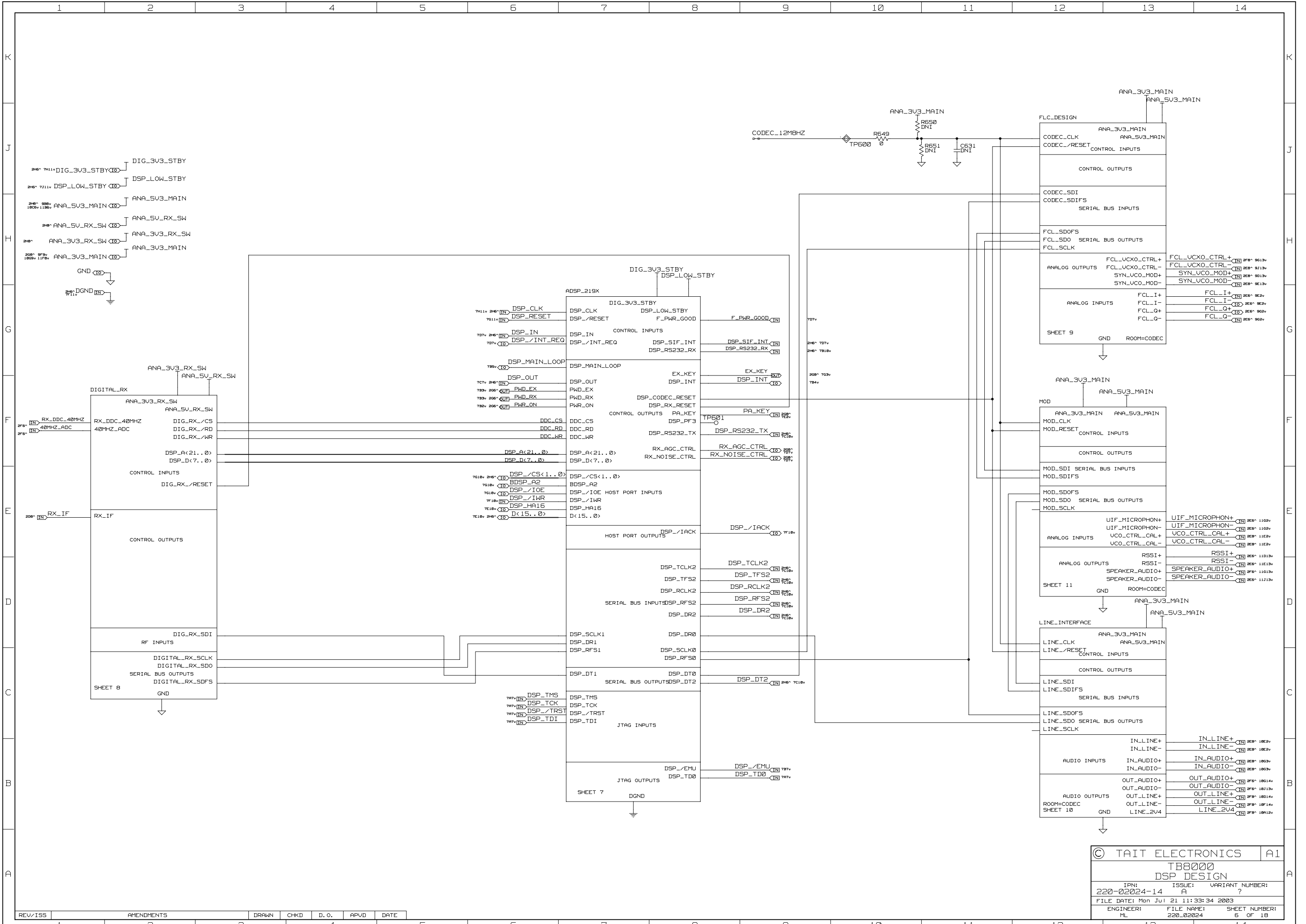
© TAIT ELECTRONICS		A1
TB8000 RISC		
IPN: 220-02024-14	ISSUE: A	VARIANT NUMBER: ?
FILE DATE: Mon Jul 21 11:33:33 2003		
ENGINEER: ML	FILE NAME: 220_02024	SHEET NUMBER: 4 OF 18

REV/ISS	AMENDMENTS	DRAWN	CHKD	D.O.	APVD	DATE
1						
2						
3						
4						



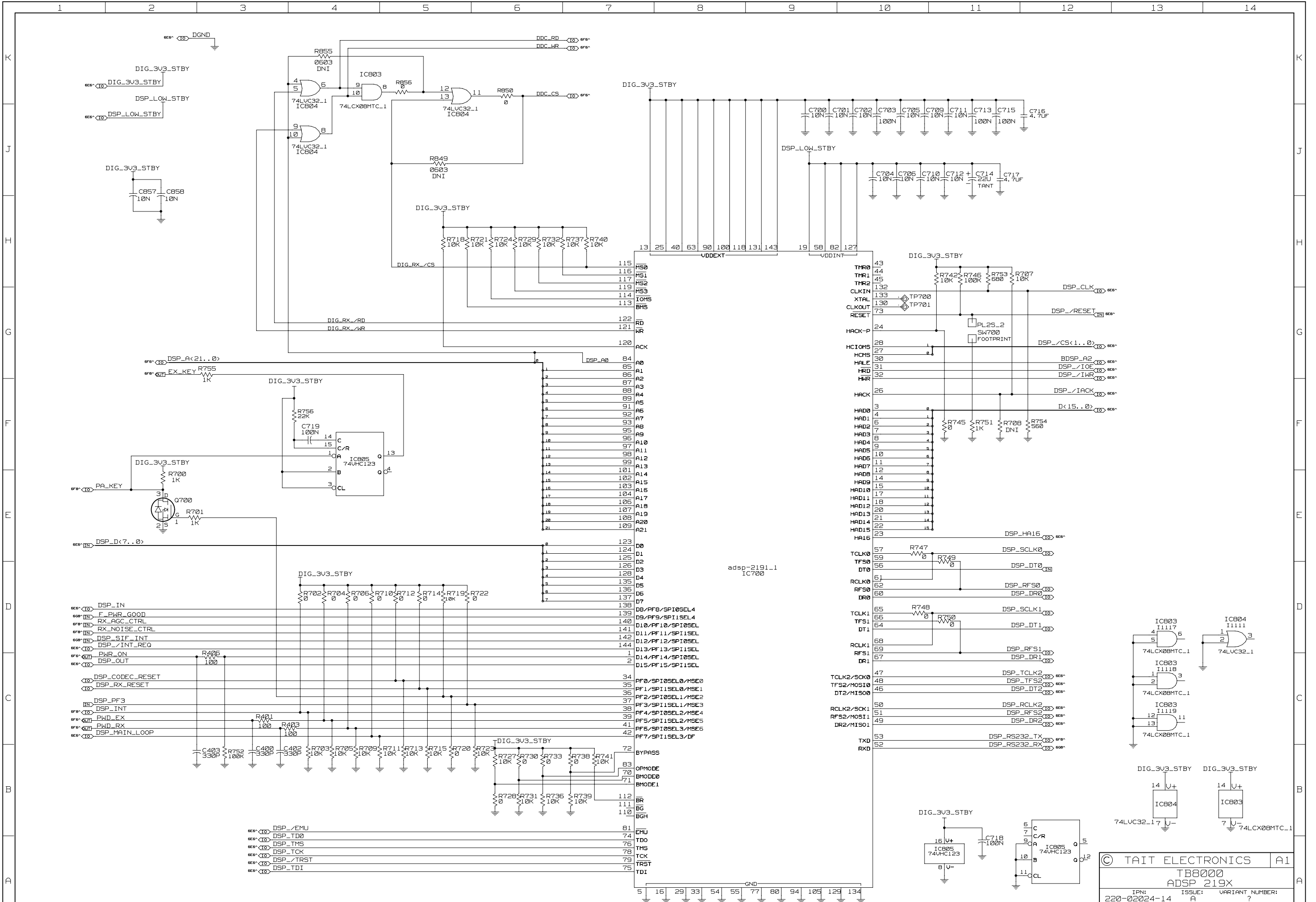
© TAIT ELECTRONICS		A1
TB8000 MEMORY		
IPN: 220-02024-14	ISSUE: A	VARIANT NUMBER: ?
FILE DATE: Mon Jul 21 11:33:34 2003		
ENGINEER: ML	FILE NAME: 220_02024	SHEET NUMBER: 5 OF 18

REV/ISS	AMENDMENTS	DRAWN	CHKD	D.O.	APVD	DATE
1						



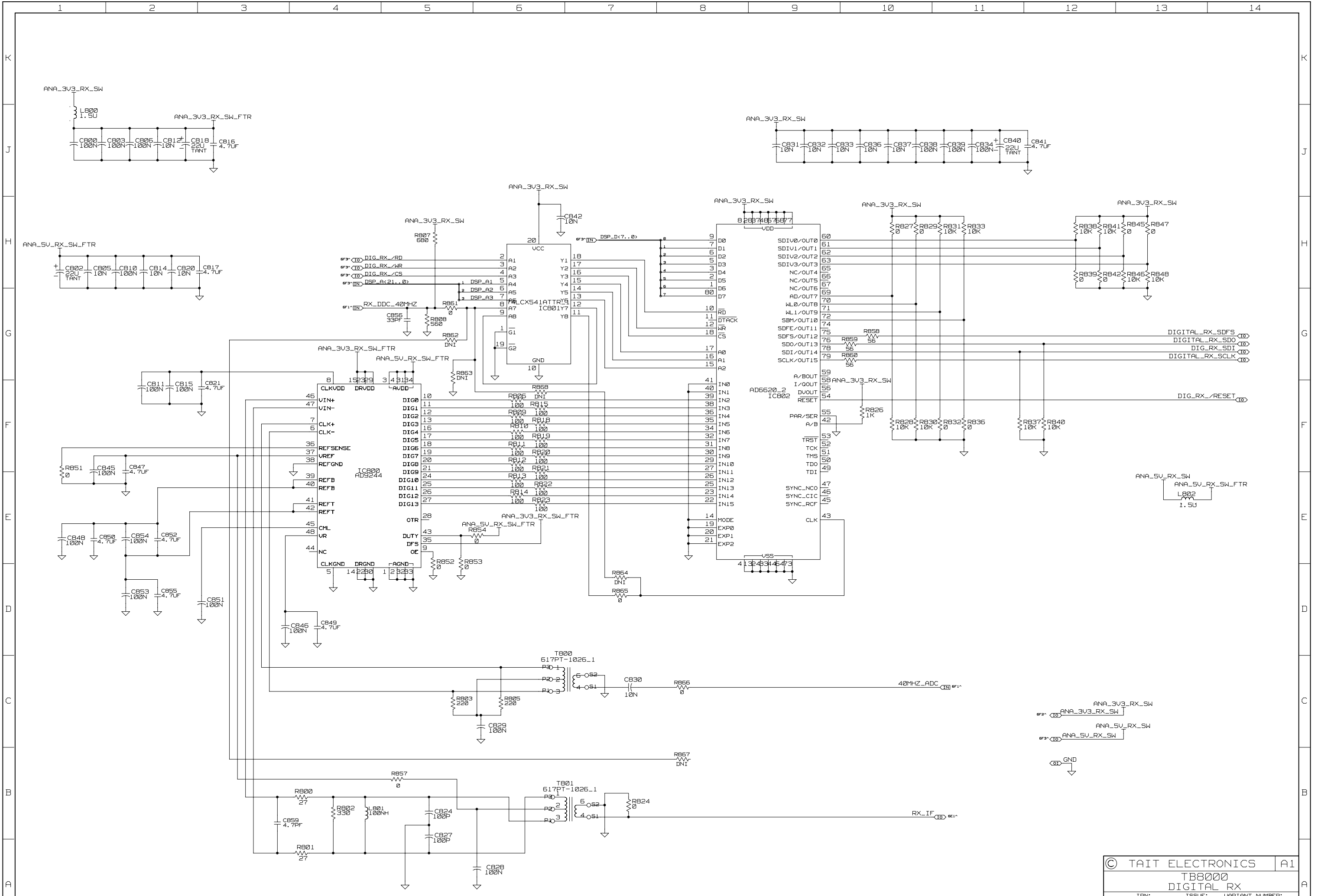
© TAIT ELECTRONICS		A1
T88000 DSP DESIGN		
IPN: 220-02024-14	ISSUE: A	VARIANT NUMBER: ?
FILE DATE: Mon Jul 21 11:33:34 2003		
ENGINEER: ML	FILE NAME: 220_02024	SHEET NUMBER: 6 OF 18

REV/ISS	AMENDMENTS	DRAWN	CHKD	D.O.	APVD	DATE
1						



© TAIT ELECTRONICS		A1
T88000		
ADSP 219X		
IPN:	ISSUE:	VARIANT NUMBER:
220-02024-14	A	?
FILE DATE: Mon Jul 21 11:33:35 2003		
ENGINEER:	FILE NAME:	SHEET NUMBER:
ML	220_02024	7 OF 18

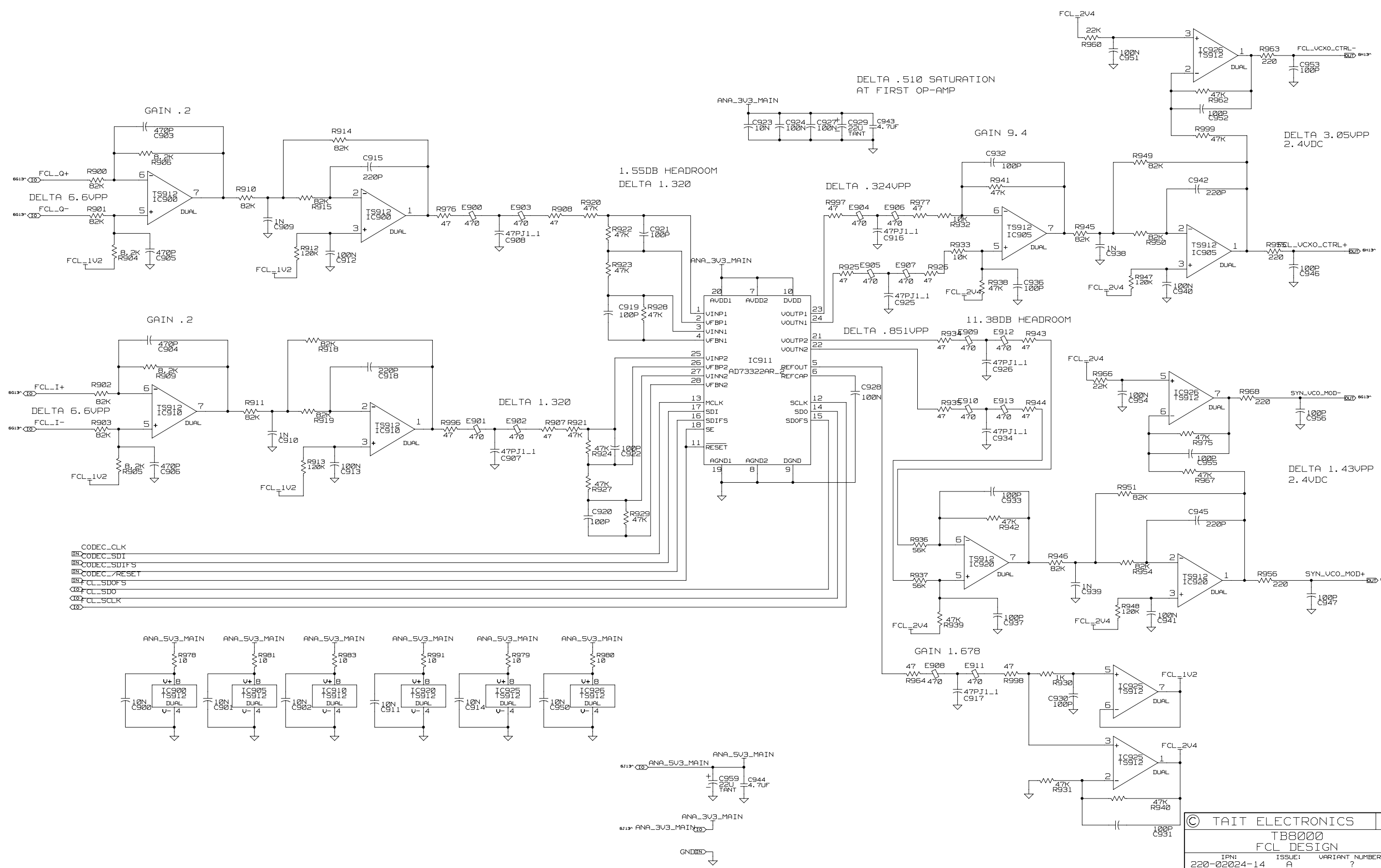
REV/ISS	AMENDMENTS	DRAWN	CHKD	D.O.	APVD	DATE
1						



© TAIT ELECTRONICS		A1
T88000 DIGITAL RX		
IPN: 220-02024-14	ISSUE: A	VARIANT NUMBER: ?
FILE DATE: Mon Jul 21 11:33:35 2003		
ENGINEER: ML	FILE NAME: 220_02024	SHEET NUMBER: 8 OF 18

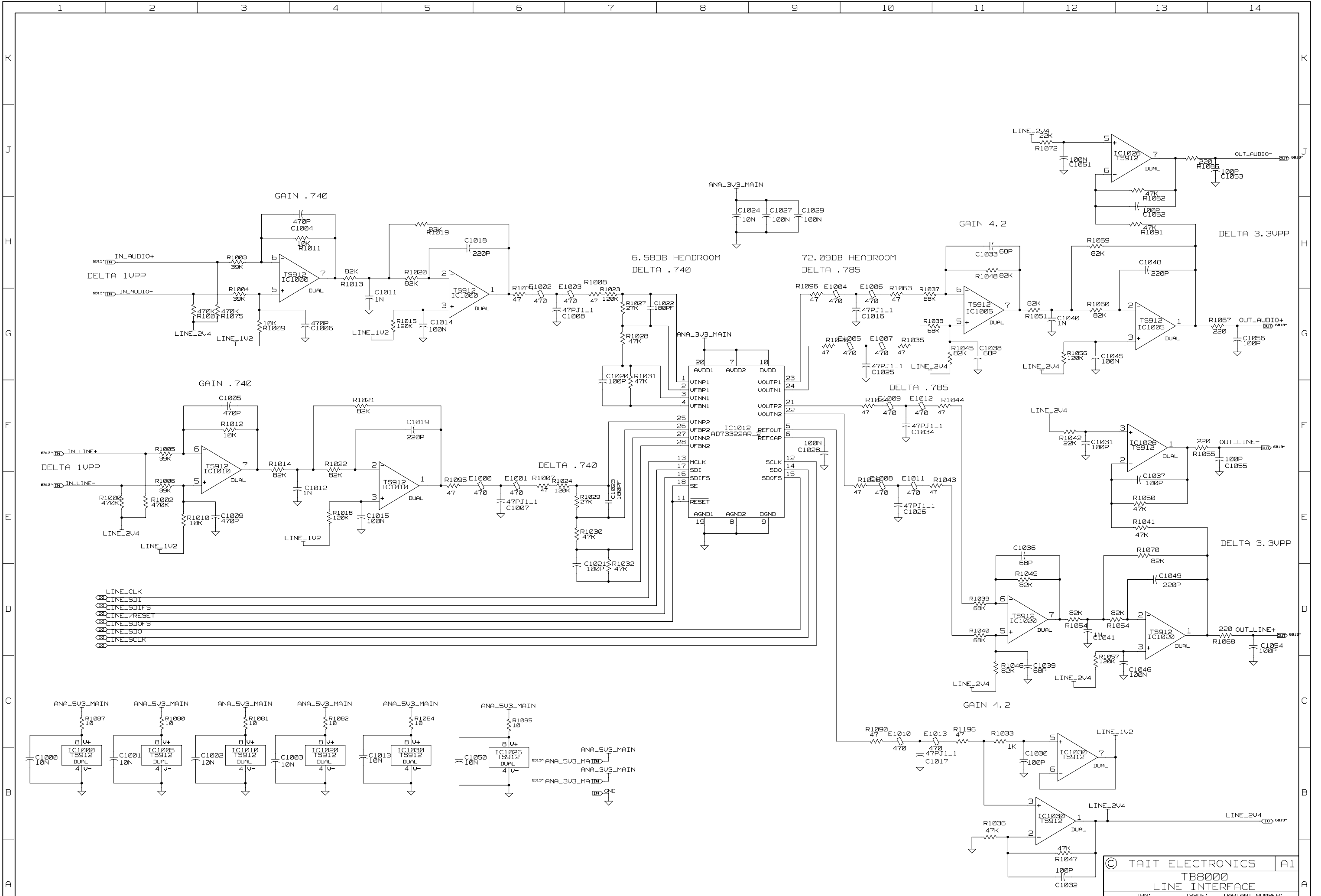
REV/ISS	AMENDMENTS	DRAWN	CHKD	D.O.	APVD	DATE
1						





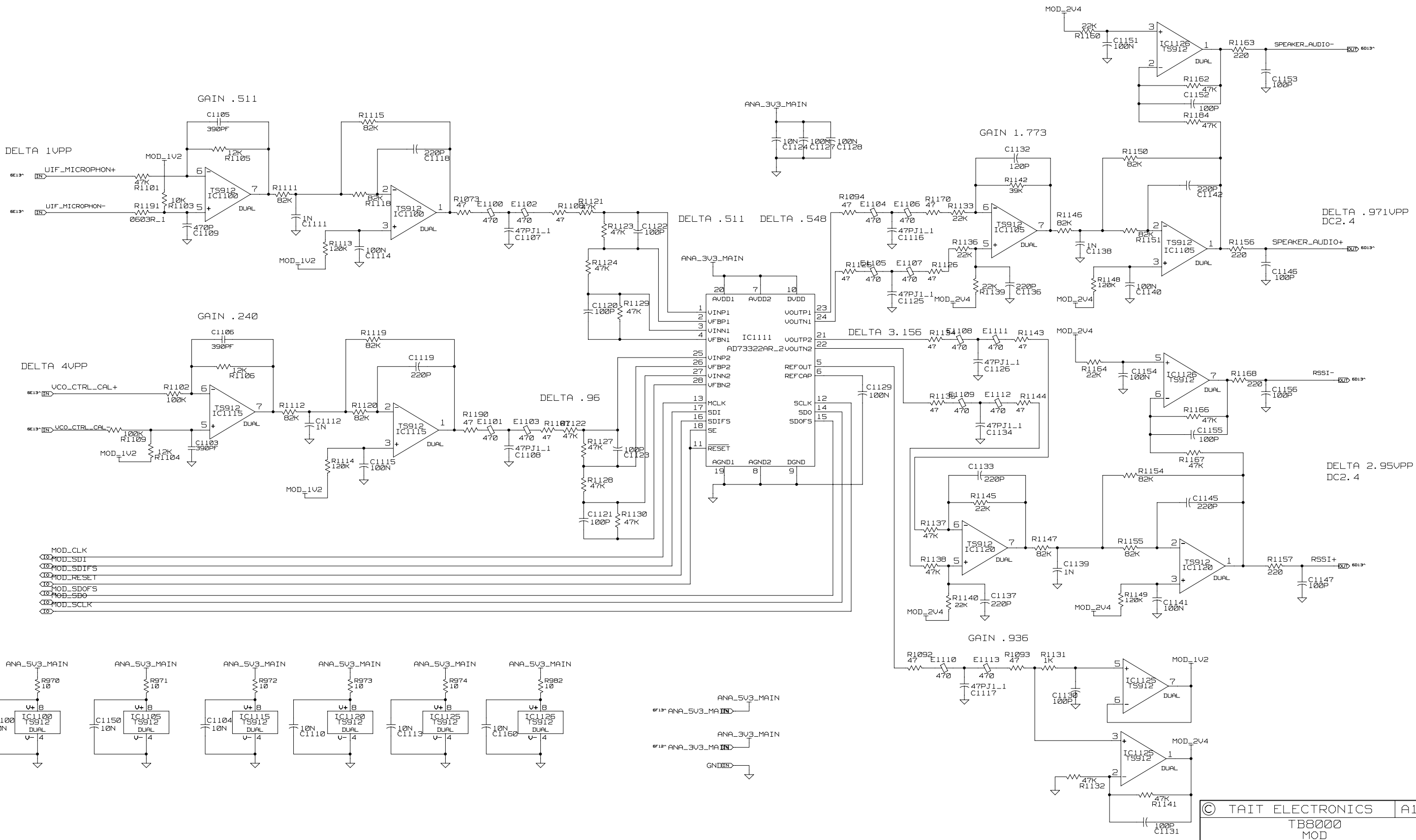
© TAIT ELECTRONICS		A1
T8000 FCL DESIGN		
IPN: 220-02024-14	ISSUE: A	VARIANT NUMBER: ?
FILE DATE: Mon Jul 21 11:33:38 2003		
ENGINEER: ML	FILE NAME: 220_02024	SHEET NUMBER: 9 OF 18

REV/ISS	AMENDMENTS	DRAWN	CHKD	D.O.	APVD	DATE
1						

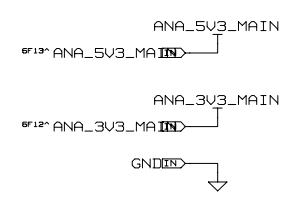
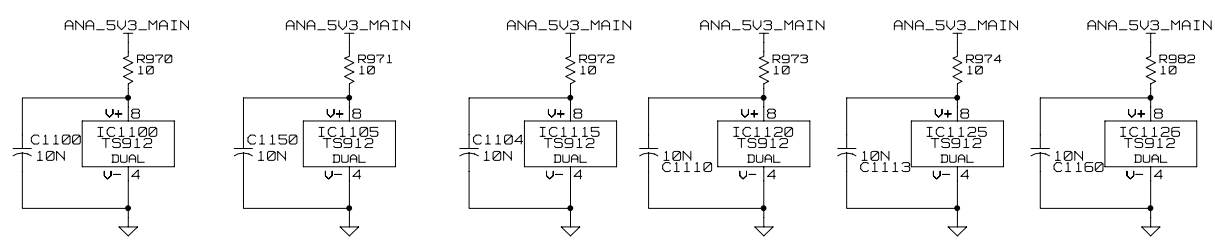


© TAIT ELECTRONICS		A1
T88000		
LINE INTERFACE		
IPN:	ISSUE:	VARIANT NUMBER:
220-02024-14	A	?
FILE DATE: Mon Jul 21 11:33:40 2003		
ENGINEER:	FILE NAME:	SHEET NUMBER:
ML	220_02024	10 OF 18

REV/ISS	AMENDMENTS	DRAWN	CHKD	D.O.	APVD	DATE
1						

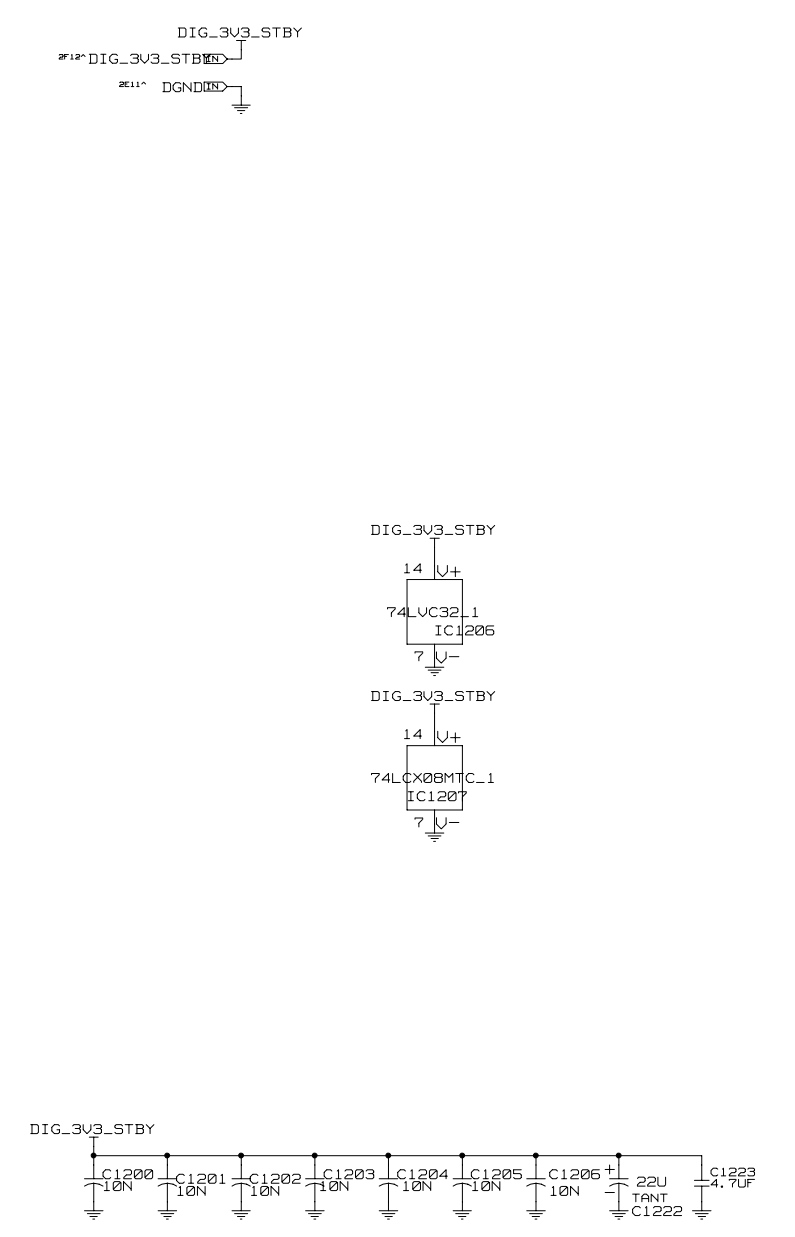
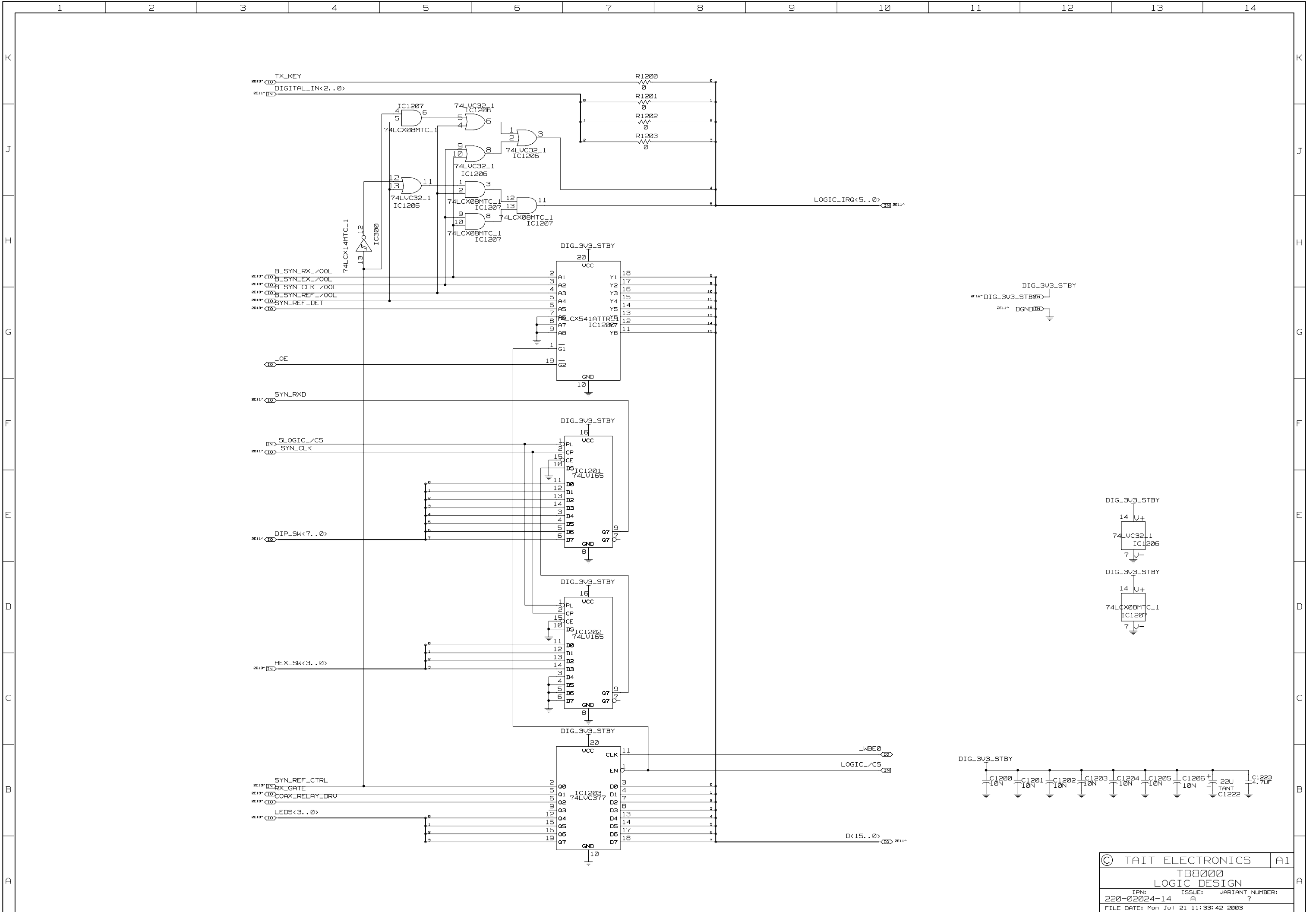


- MOD\_CLK
- MOD\_SDI
- MOD\_SDIFS
- MOD\_RESET
- MOD\_SDOFS
- MOD\_SDO
- MOD\_SCLK



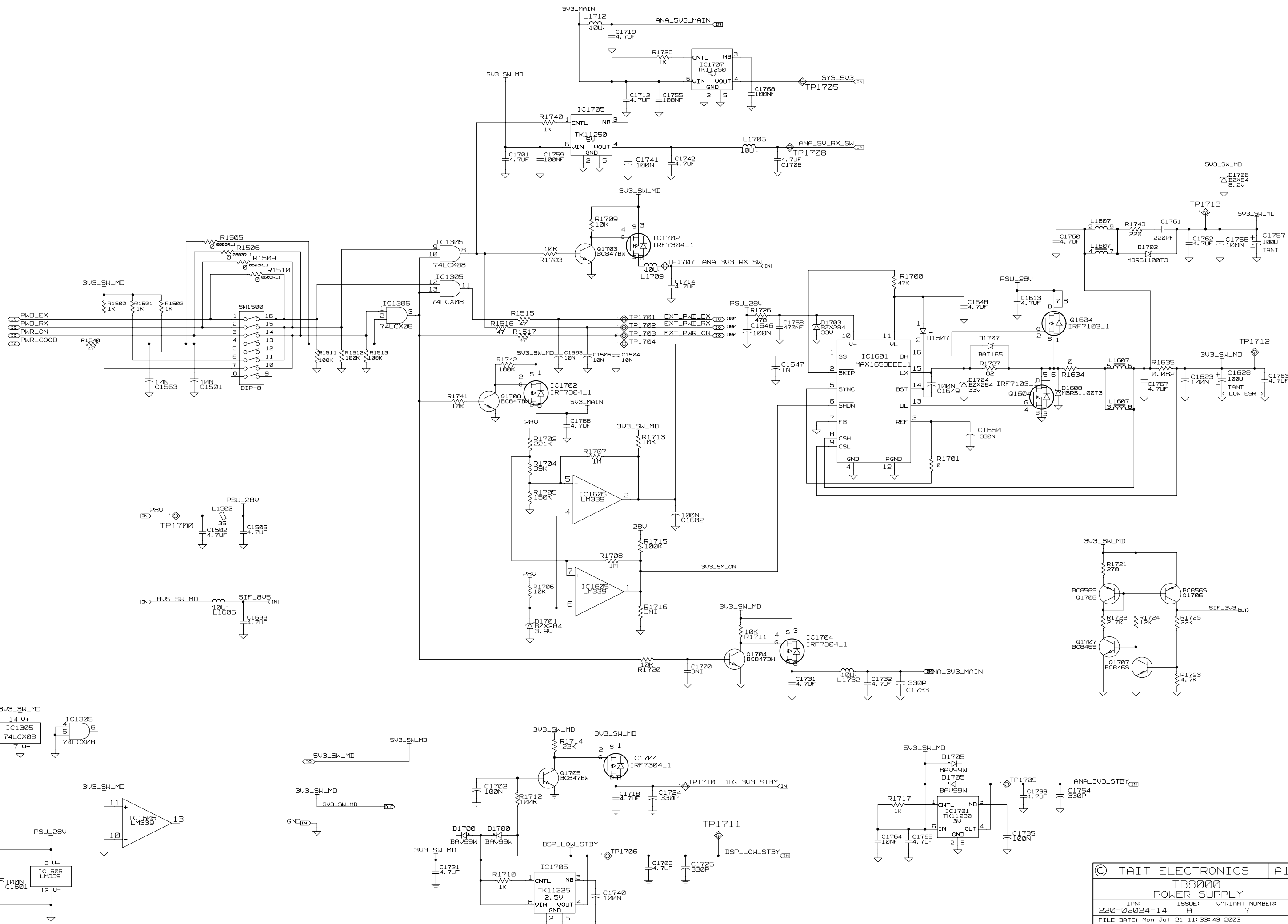
© TAIT ELECTRONICS		A1
T8800 MOD		
IPN: 220-02024-14	ISSUE: A	VARIANT NUMBER: ?
FILE DATE: Mon Jul 21 11:33:41 2003		
ENGINEER: ML	FILE NAME: 220_02024	SHEET NUMBER: 11 OF 18

REV/ISS	AMENDMENTS	DRAWN	CHKD	D.O.	APVD	DATE
1						



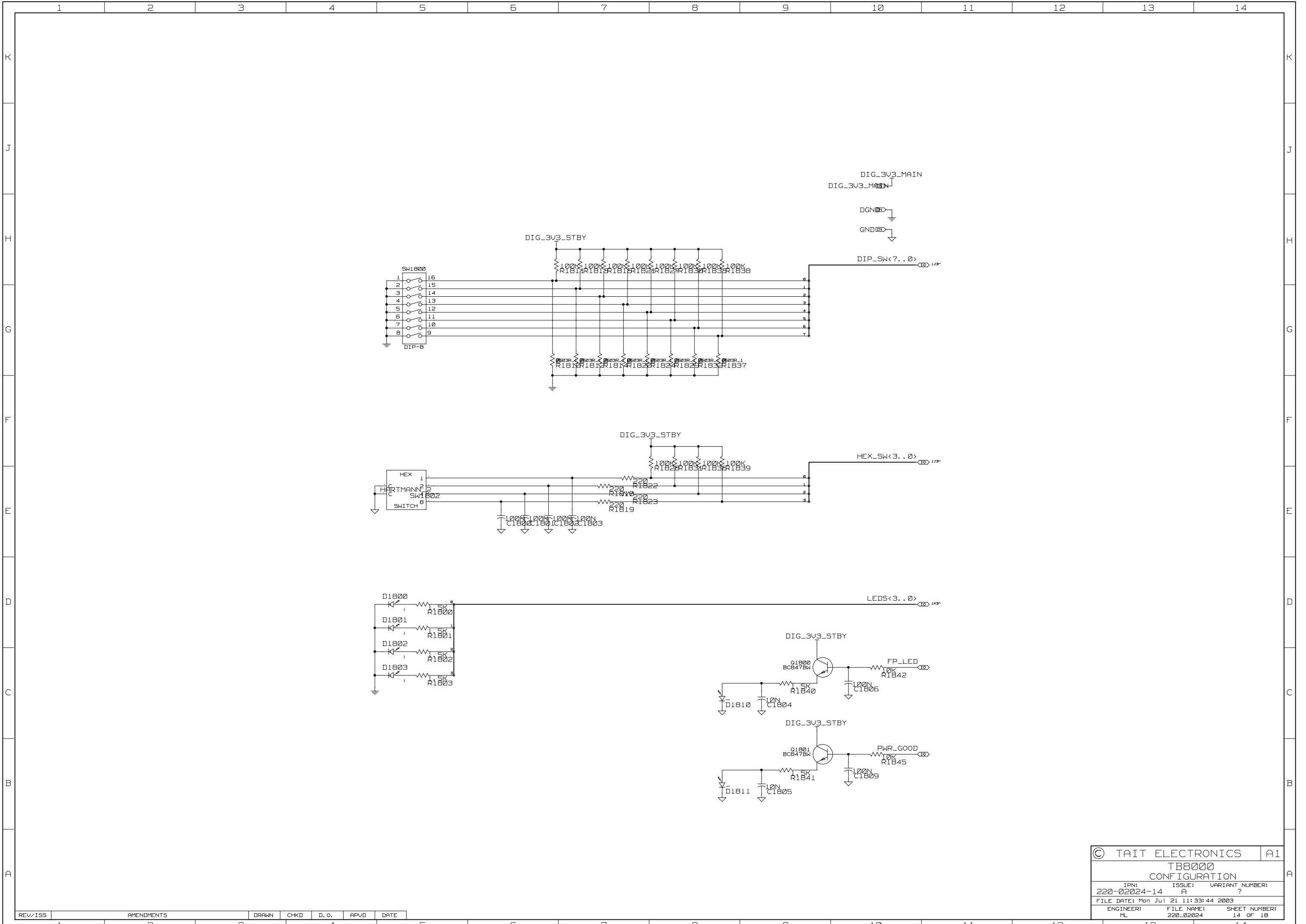
© TAIT ELECTRONICS		A1
TB8000 LOGIC DESIGN		
IPN: 220-02024-14	ISSUE: A	VARIANT NUMBER: ?
FILE DATE: Mon Jul 21 11:33:42 2003		
ENGINEER: ML	FILE NAME: 220_02024	SHEET NUMBER: 12 OF 18

REV/ISS	AMENDMENTS	DRAWN	CHKD	D.O.	APVD	DATE
1						



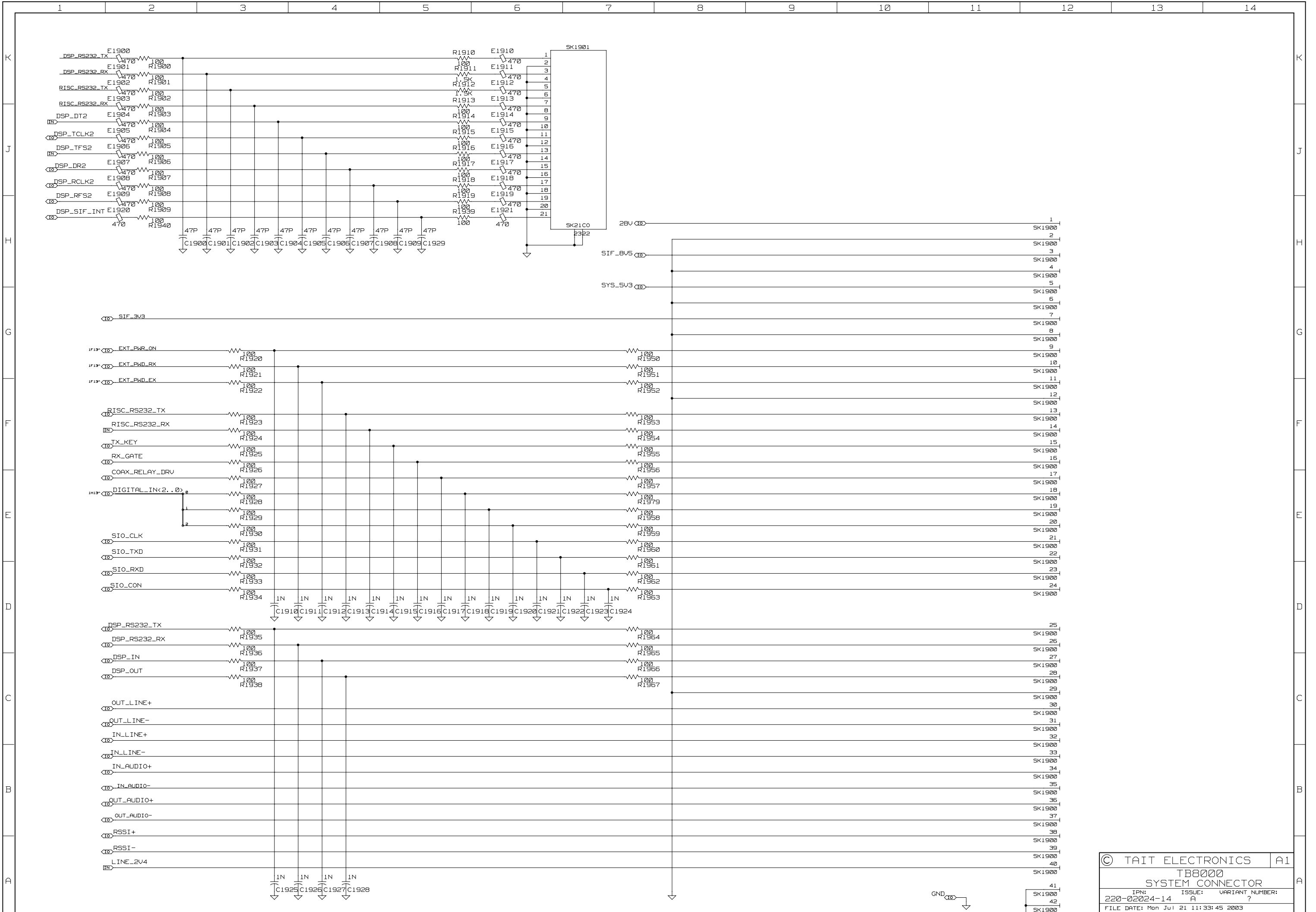
© TAIT ELECTRONICS		A1
T88000		
POWER SUPPLY		
IPN:	ISSUE:	VARIANT NUMBER:
220-02024-14	A	?
FILE DATE: Mon Jul 21 11:33:43 2003	FILE NAME:	SHEET NUMBER:
ENGINEER:	ML	220_02024
		13 OF 18

REV/ISS	AMENDMENTS	DRAWN	CHKD	D.O.	APVD	DATE
1						



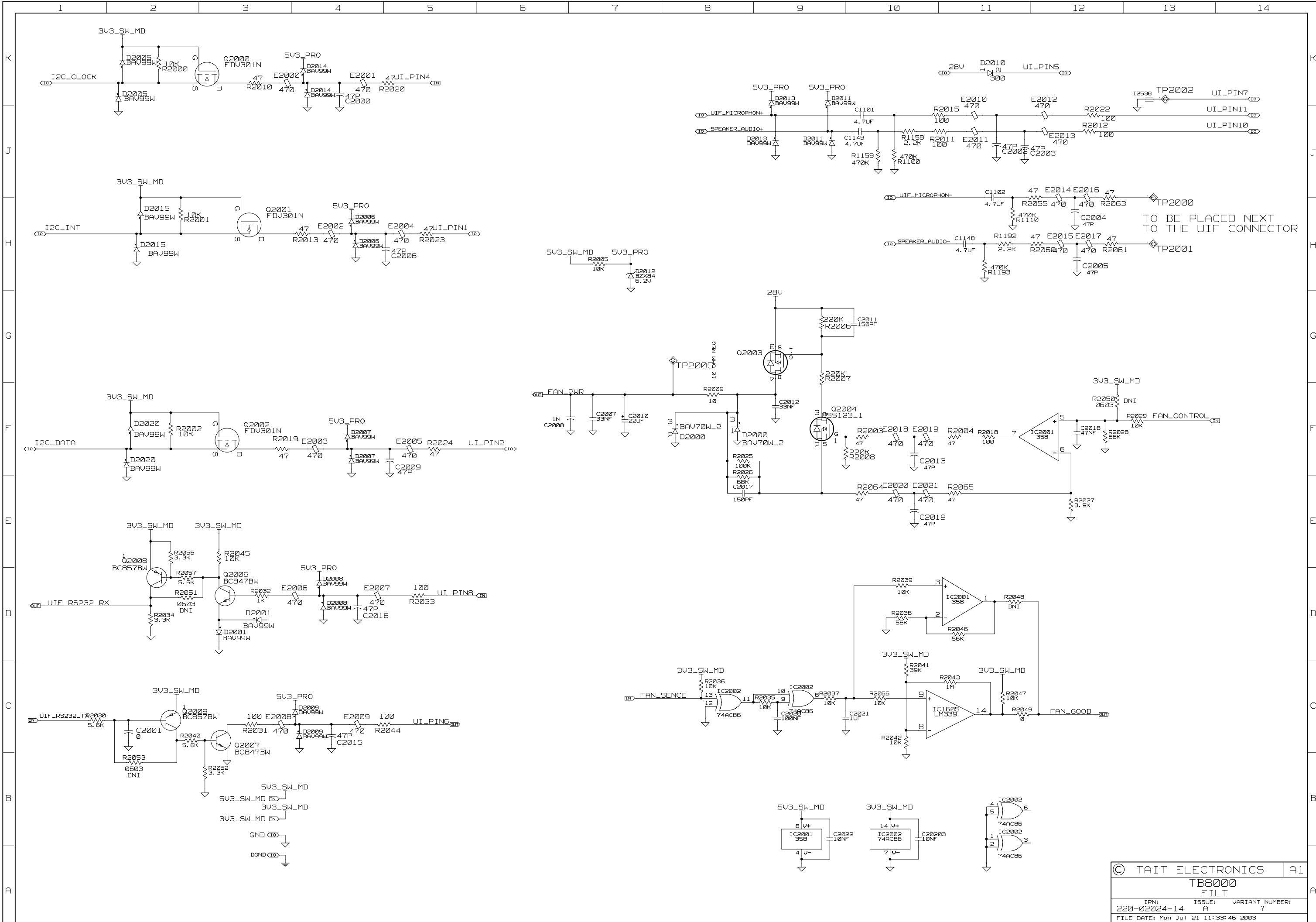
© TAIT ELECTRONICS		A1
T8800 CONFIGURATION		
IPN: 220-02024-14	ISSUE: A	VARIANT NUMBER: ?
FILE DATE: Mon Jul 21 11:33:44 2003		
ENGINEER: ML	FILE NAME: 220_02024	SHEET NUMBER: 14 OF 18

REV/ISS	AMENDMENTS	DRAWN	CHKD	D.O.	APVD	DATE
1						



© TAIT ELECTRONICS		A1
TB8000 SYSTEM CONNECTOR		
IPN: 220-02024-14	ISSUE: A	VARIANT NUMBER: ?
FILE DATE: Mon Jul 21 11:33:45 2003		
ENGINEER: ML	FILE NAME: 220_02024	SHEET NUMBER: 15 OF 18

REV/ISS	AMENDMENTS	DRAWN	CHKD	D.O.	APVD	DATE
1						

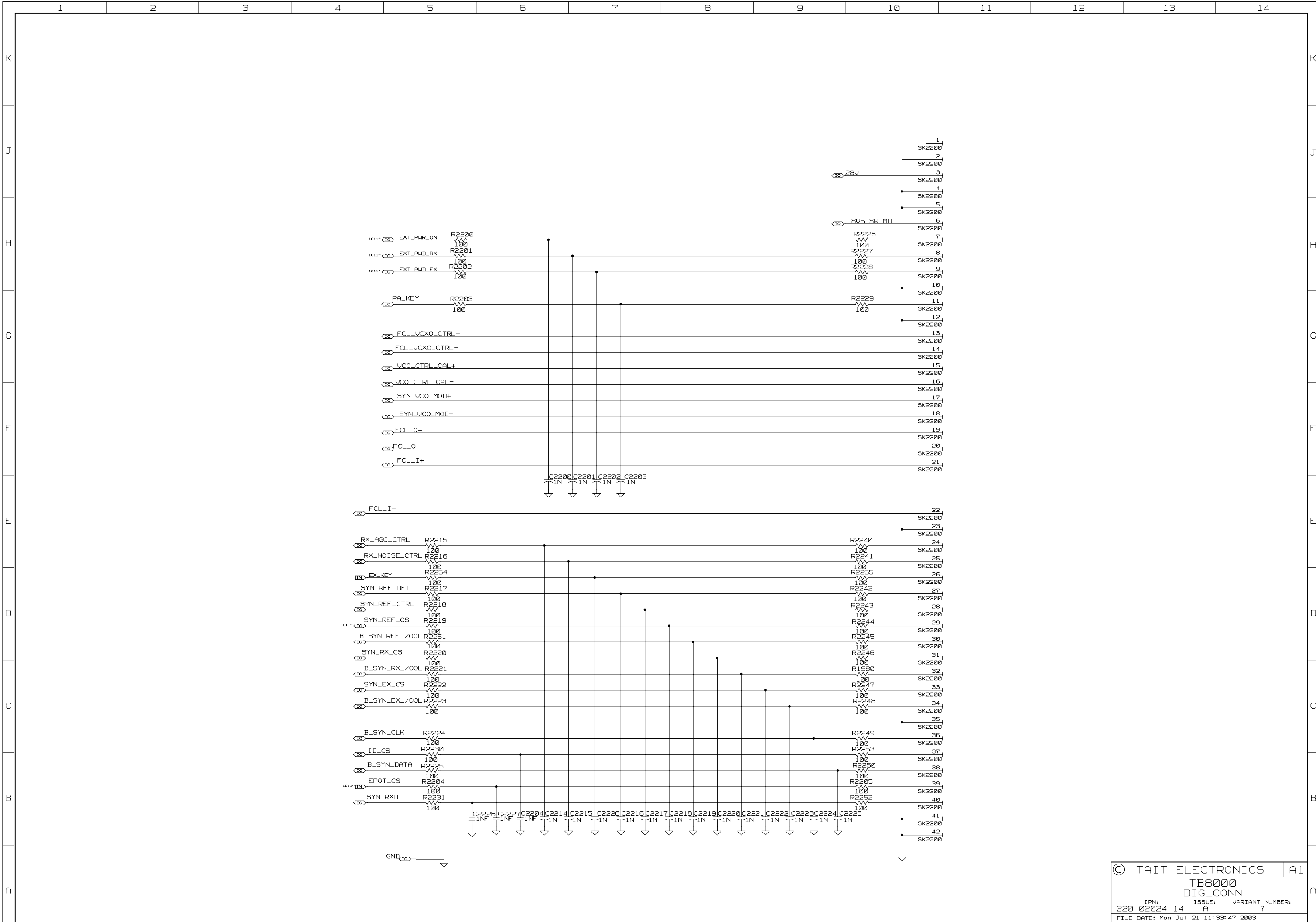


TO BE PLACED NEXT TO THE UIF CONNECTOR

© TAIT ELECTRONICS		A1
TB8000		
FILT		
IPN:	ISSUE:	VARIANT NUMBER:
220-02024-14	A	?
FILE DATE: Mon Jul 21 11:33:45 2003		
ENGINEER:	FILE NAME:	SHEET NUMBER:
ML	220_02024	16 OF 18

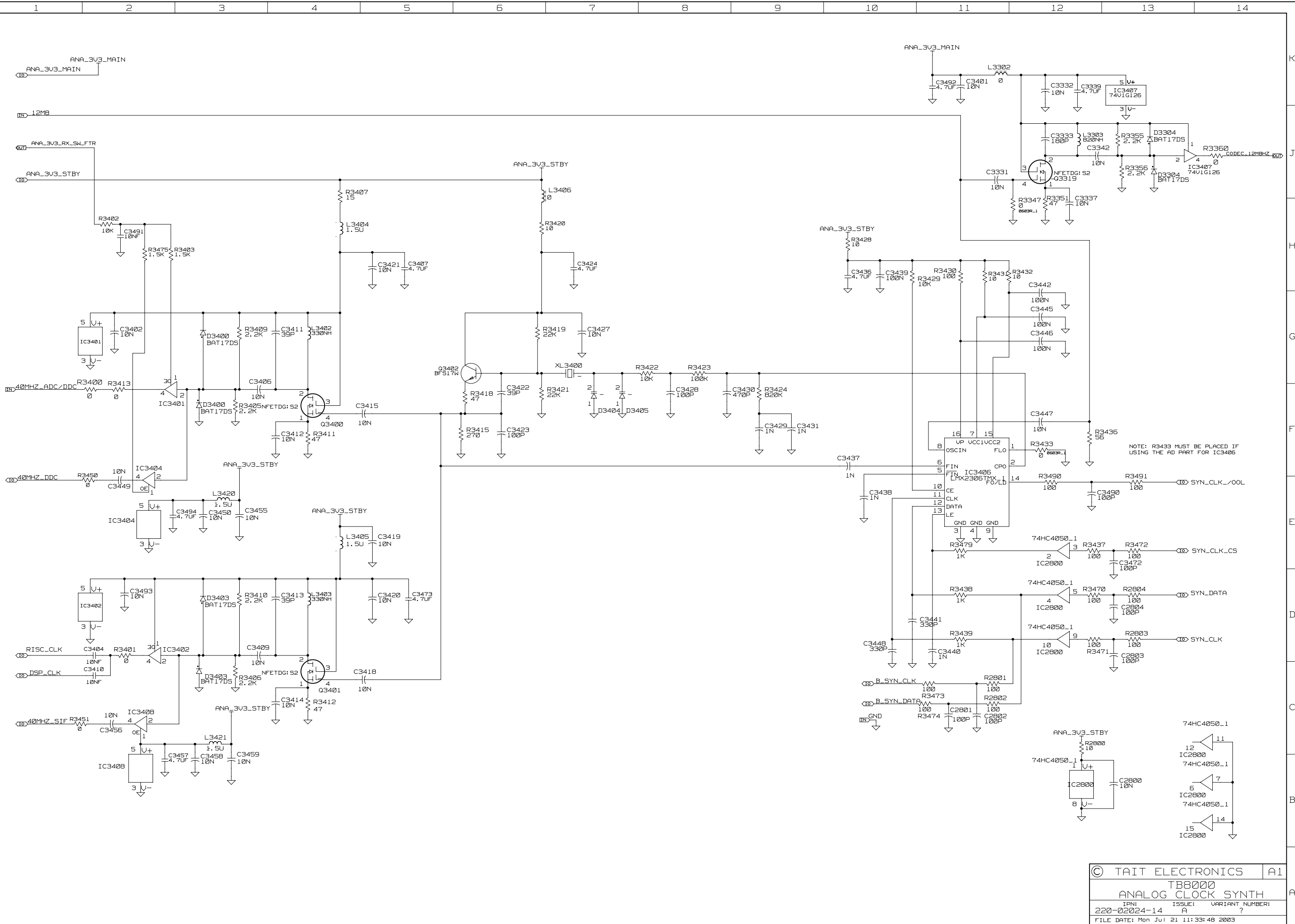
REV/ISS	AMENDMENTS	DRAWN	CHKD	D.O.	APVD	DATE
1						





© TAIT ELECTRONICS		A1
TB8000 DIG_CONN		
IPN: 220-02024-14	ISSUE: A	VARIANT NUMBER: ?
FILE DATE: Mon Jul 21 11:33:47 2003		
ENGINEER: ML	FILE NAME: 220_02024	SHEET NUMBER: 17 OF 18

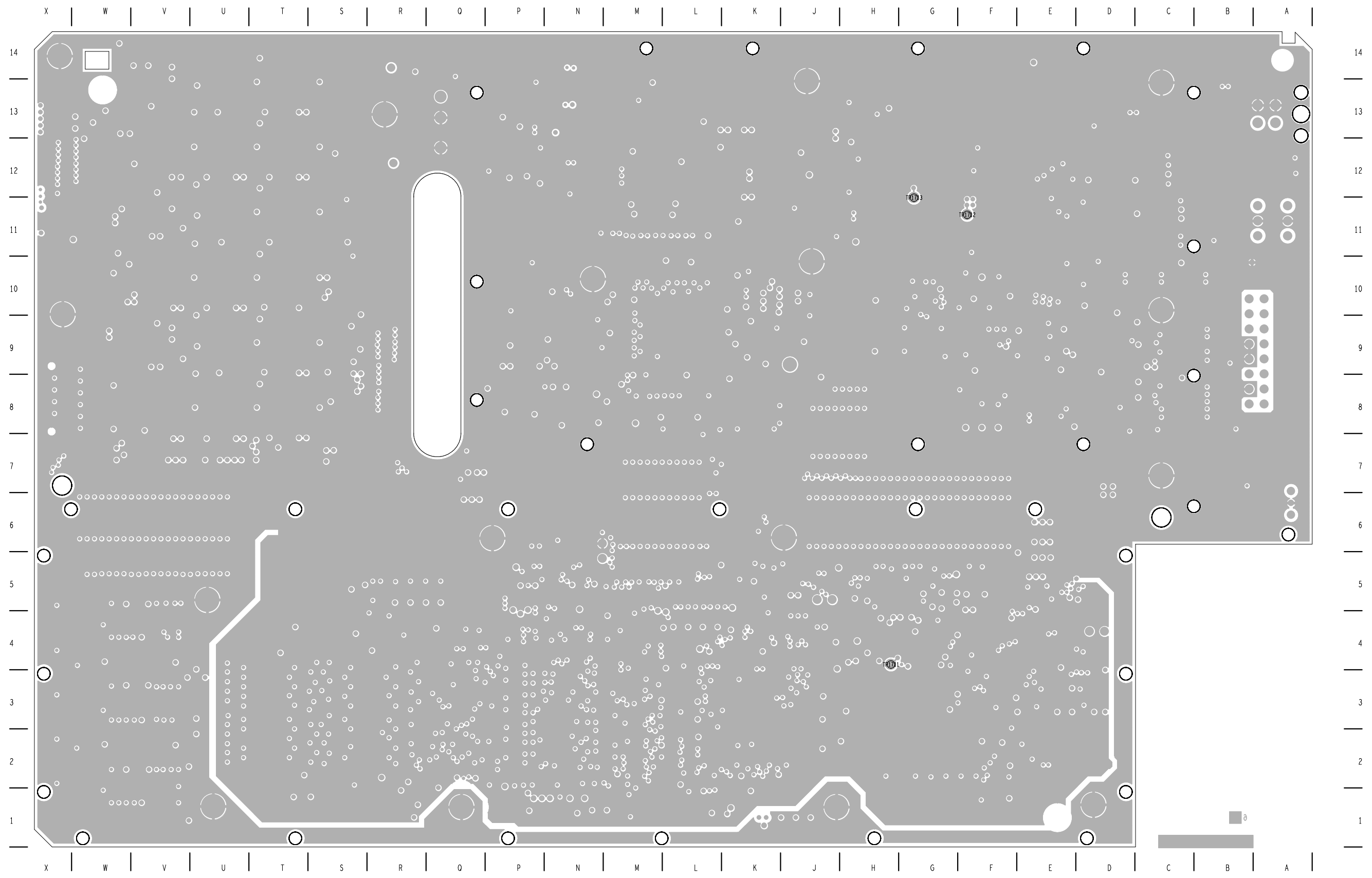
REV/ISS	AMENDMENTS	DRAWN	CHKD	D.O.	APVD	DATE
1						



© TAIT ELECTRONICS		A1
T88000		
ANALOG CLOCK SYNTH		
IPN: 220-02024-14	ISSUE: A	VARIANT NUMBER: ?
FILE DATE: Mon Jul 21 11:33:48 2003		
ENGINEER: ML	FILE NAME: 220_02024	SHEET NUMBER: 18 OF 18

REV/ISS	AMENDMENTS	DRAWN	CHKD	D.O.	APVD	DATE
1						





TAIT ELECTRONICS	IPN:	ISS:	DATE:
	220-02024-14	A	16Jul03
TB8000 Reciter Control 220-02024-14_LAYOUT-SECONDARY-SIDE			